

12 Instructions for Data Loggers with Flexible Probes

12.1 Instructions for bending probes



Do not bend the probes within the first 10 mm from the housing or in the first 50 mm from the tip of the probe.

The sensor is on the tip of the probe. Bending the probe on the wrong spot could damage the sensor. Bending the probe too close to the housing may cause it to break because of the high mechanical stress on the welded area.

Do not use pliers or another tool to bend the probe. To bend, hold the probe in the lower part with 2 fingers and bend the probe into the position desired with the other hand.

The bending radius must be at least 10 mm, smaller radii lead to material fatigue and can result in broken probes.

12.2 Instructions for programming and reading out a logger in a silicone protection box

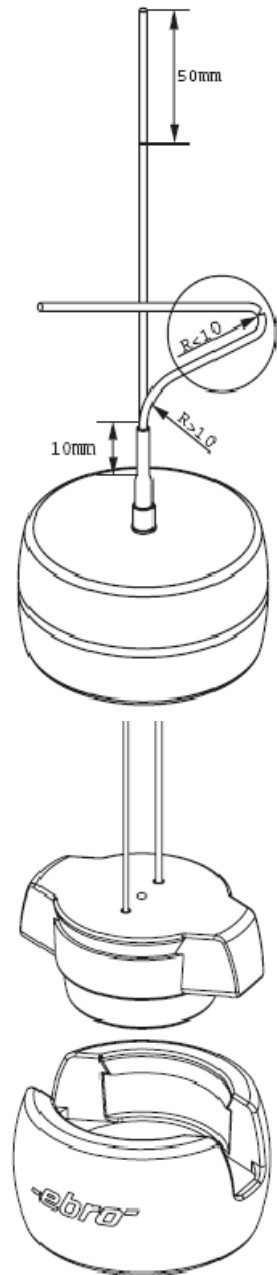


Leave data loggers with flexible probes in the protection box.

Pulling out the flexible probes or threading them into the protection box could damage the probes.

To read out or program these loggers, remove the bottom of the protection box by pulling it off.

After programming and readout, close the protection box.



13 Exchanging the Spacer Ring of the EBI 10 Logger

The data loggers of the EBI 10 series are supplied ex factory with a metal spacer ring (Figure 1).

If desired, the spacer ring can be fitted additionally with an eyelet (Figure 1).

A spacer ring can be exchanged against another one, if necessary. A corresponding spacer ring set is available.

Follow these steps to replace a spacer ring.:

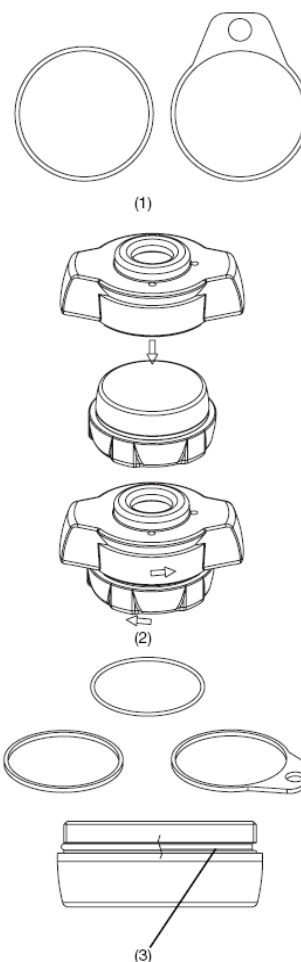
- ▶ Open the data logger with the logger opener (Figure 2).
- ▶ Remove the elastic O-ring.
- ▶ Remove the existing spacer ring.
- ▶ Clean the groove in which the O-ring was resting (Figure 3).
- ▶ Insert the new metal spacer ring.
- ▶ Take a new silicone O-ring, lubricate it thinly and then insert it in the groove.
- ▶ Screw the parts of the logger housing together firmly.
- ▶ Remove superfluous fat, if necessary.

13.1 Note:



A used O-ring may never be re-used because screwing the two parts of the logger housing together always deforms the O-ring and it will not seal correctly!

- ☞ **Be careful not to overstretch or damage the O-ring!**
- ☞ **If the O-ring slips out of the groove while screwing the logger together, then perhaps it was not lubricated sufficiently and overstretched because of excessive friction. Most probably, this O-ring is already damaged and should be exchanged against a new one.**
- ☞ **Be sure to close the logger correctly. Otherwise, continuous ingress of moisture will lead to corrosion of the logger components. Such loggers cannot be repaired and must be replaced!**



14 Exchanging the Battery of an EBI 10 Logger

When the battery is empty, it must be replaced. You can do this by yourself.



Prevent electrostatic discharges with suitable safety precautions! (e.g. wearing an earthed wristband) Electrostatic discharges can destroy the logger!

To exchange the battery, follow these steps:

- Open the logger housing with the logger opener (Figure 1).
- Remove the holding clamp of the battery (Figure 2) (loosen screw, fold up the holding clam and pull off carefully).
- Pull the battery plug out of the board (Figure 3).
- Remove the empty battery.
- Insert a new battery in the same position into the battery compartment.
- Insert the holding clamp carefully into the two holding slots and make sure the red battery wire stays underneath and is not crushed or injured (figure 4).
- Connect the battery plug carefully with the female connector on the circuit board.
- Tighten the holding screw.

There is an LED on the right hand side of the battery compartment. As soon as battery current is on the circuit board, the diode will blink several times (Figure 6) and the logger is ready for use.

Remarks:

- ☞ The polarity of the plug cannot be confused, it fits into the female plug of the circuit board only in one position. Plug the plug in carefully without use of force.
- ☞ Lubricate the O-ring thoroughly all around so that it will slide well when screwing the logger parts together, but avoid excess fat.
- ☞ The battery exchange should be carried out very carefully according to the instructions provided to ensure that the logger is leakproof according to ebro specifications.
- ☞ **Be sure to close the logger correctly. Otherwise, continuous ingress of moisture will lead to corrosion of the logger components. Such loggers cannot be repaired and must be replaced!**



Dispose of used batteries ecologically on the correct collecting points. Do not throw into the trash!

